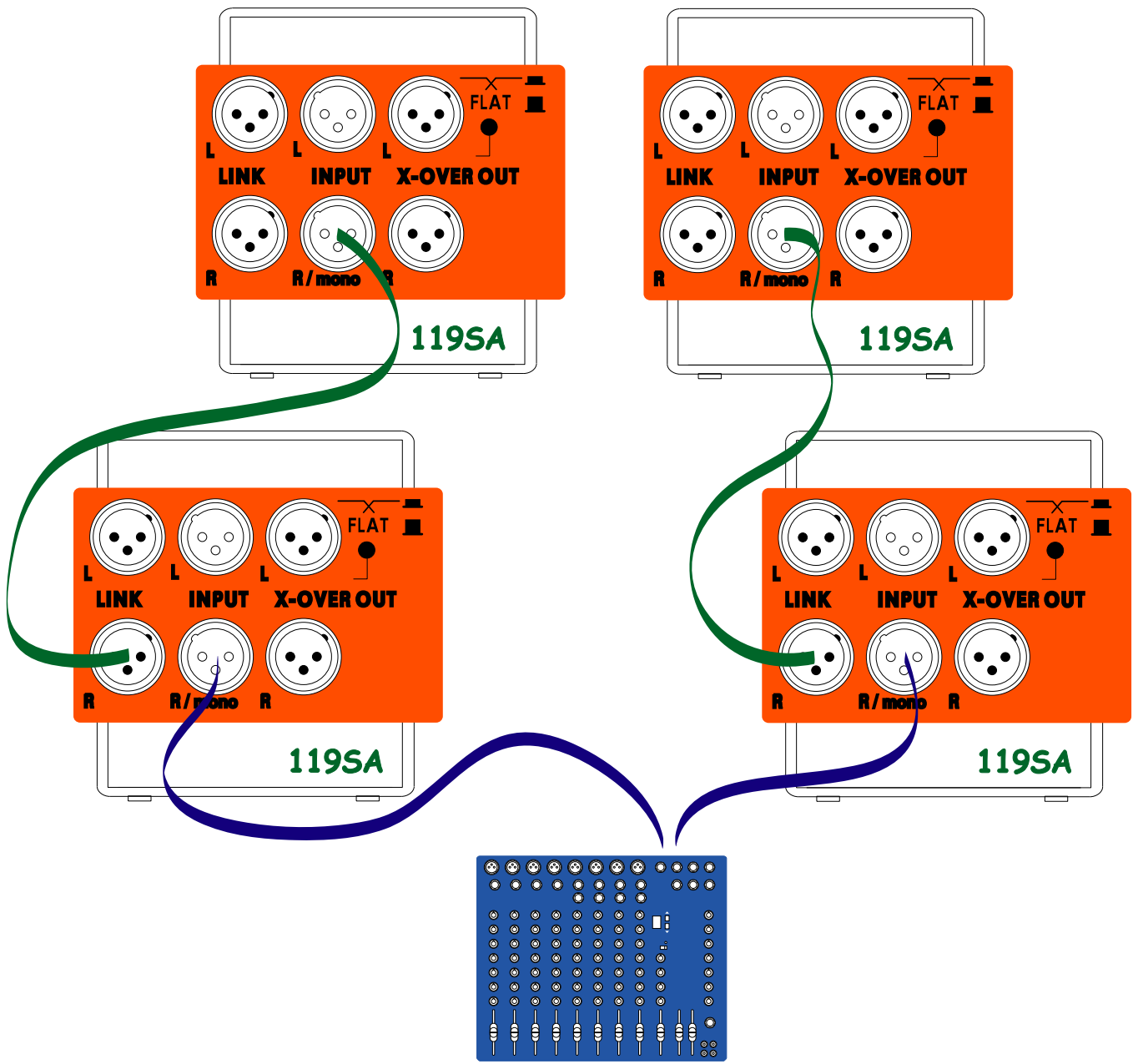




## Parallel connection of two or more 119SA

always use balanced shielded cables



**MIXER**

MIXER L/R OUTPUTS → 119SA 'R/mono' INPUTS

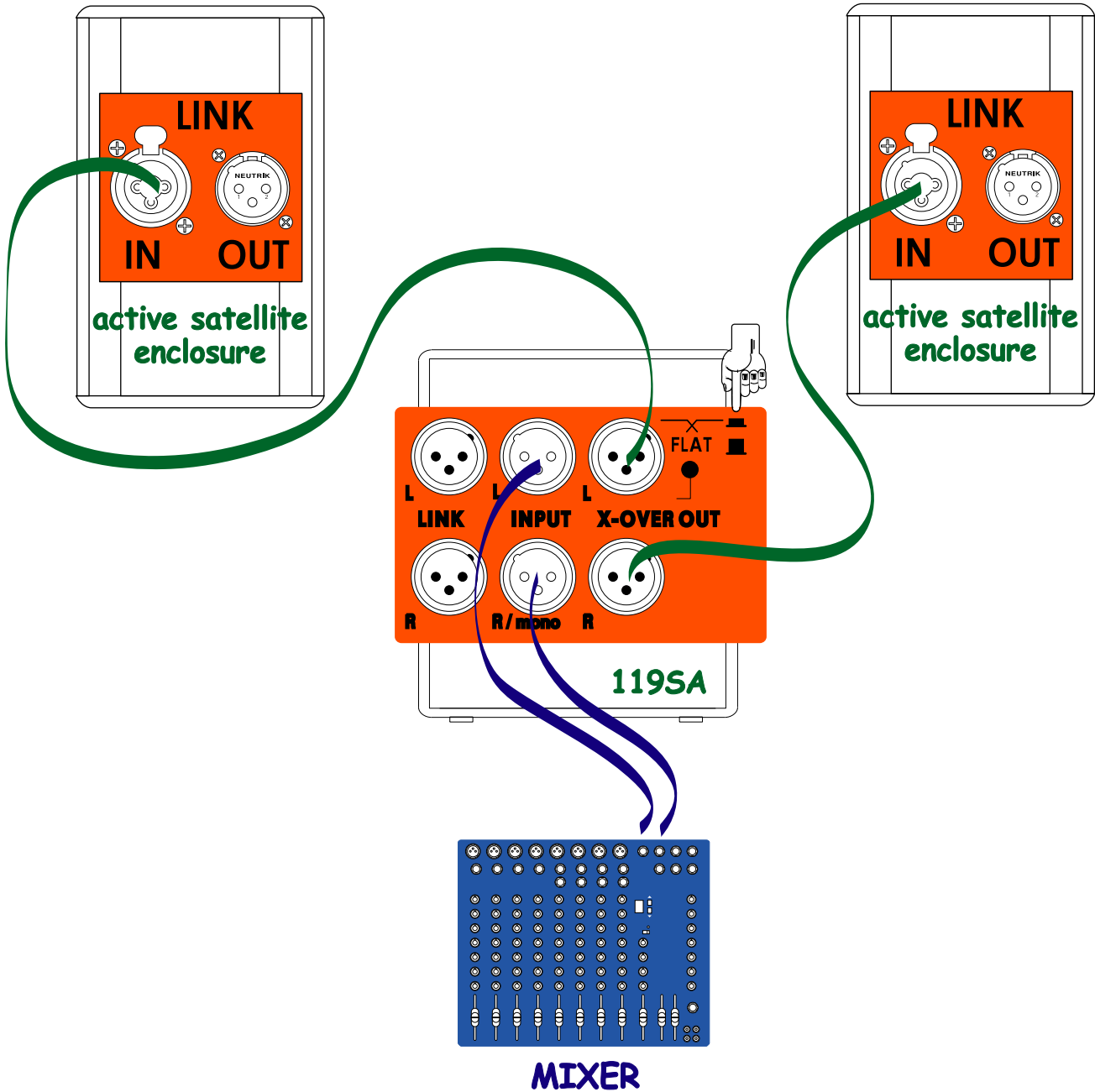
119SA 'R/Link' OUTPUTS → 'R/mono' INPUTS of other 119SA



## One 119SA + two satellite enclosures

always use balanced shielded cables

119SA: button pushed X-OVER mode



MIXER L/R OUTPUTS → 119SA L/R INPUTS

119SA 'L' X-over OUTPUT → SATELLITE ENCLOSURE INPUT

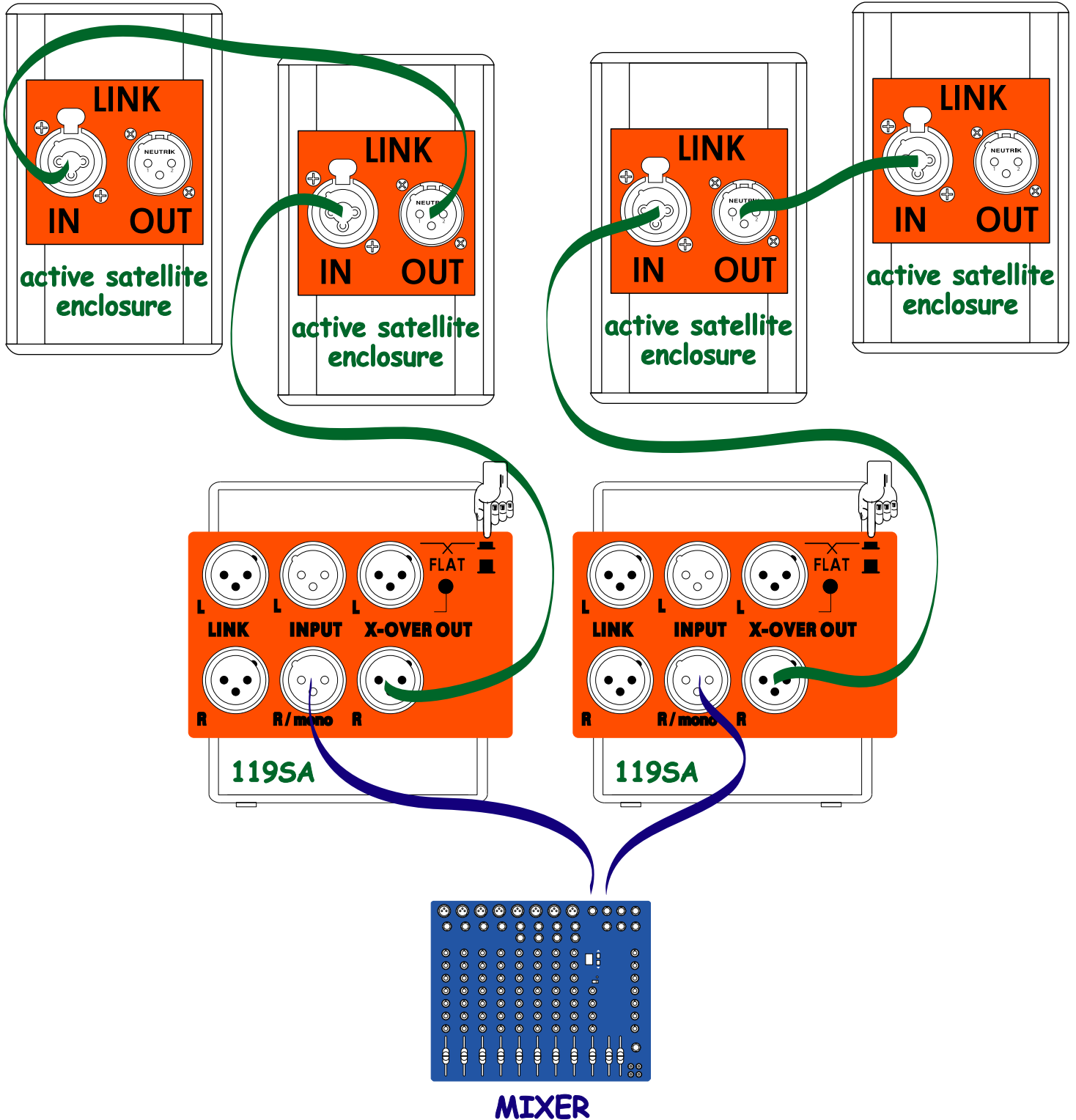
119SA 'R' X-over OUTPUT → SATELLITE ENCLOSURE INPUT



## Two 119SA + two or more satellites

always use balanced shielded cables

119SA: button pushed X-OVER mode



MIXER L/R OUTPUTS → 119SA 'R/mono' INPUTS

119SA 'R' X-over OUTPUTS → SATELLITE ENCLOSURES INPUTS